

# MICRO PERLA RGBW 120° WITH PVC FLANGE WITHOUT NICHE

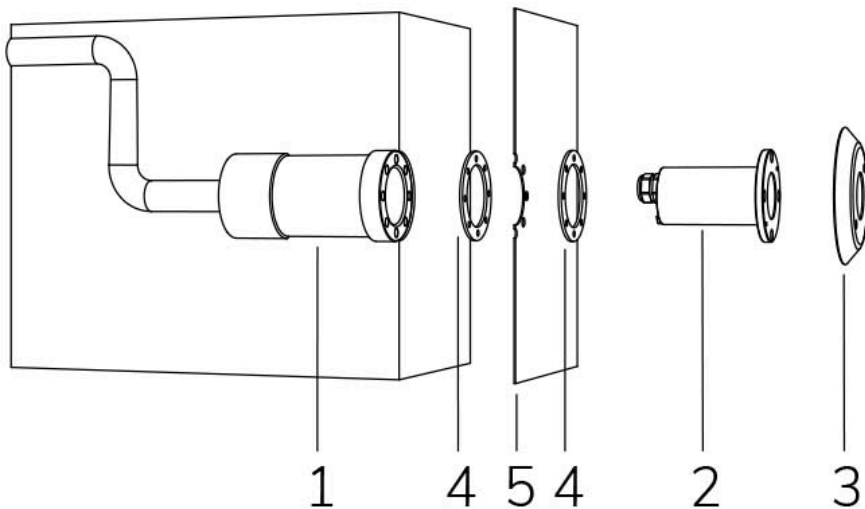
**Cod. 2104830294L**

LAMP WITH PVC FLANGE, DIFFUSER and 4m of CABLE

LED pool lamp with RGBW variable colour, ideal for small pools, jacuzzi areas and steps. Controlled by PLC signal. For panel and reinforced concrete with tiles or pool liner. NICHE IS NOT INCLUDED.

**Technical data:**

Power supply	12 V AC
Current	0.5 A
Maximum real power consumption	6 W
Maximum apparent power consumption	10 VA
Electrical insulation class	III
Connections	4 m BLUE PBS-POOL CABLE 2X0.75
Maximum cable length	50 m
Coverage area m <sup>2</sup>	UP TO 5
Beam angle	120°
Number of LEDs	4
LED color	RGBW
Total luminous flux	353 lumen
Body made of	AISI316L STEEL AND GLASS
Weight	0.6 kg
Ingress Protection rating	IP68
Working conditions	EXCLUSIVELY IN WATER
Maximum ambient temperature	(water) 40 °C
Control signal	POWER LINE COMUNICATION
Nr of programmed colors	13
Nr of programmed sequences	10



- 1 NICHE
- 2 LAMP
- 3 FRONT FLANGE
- 4 GASKET
- 5 POOL LINER

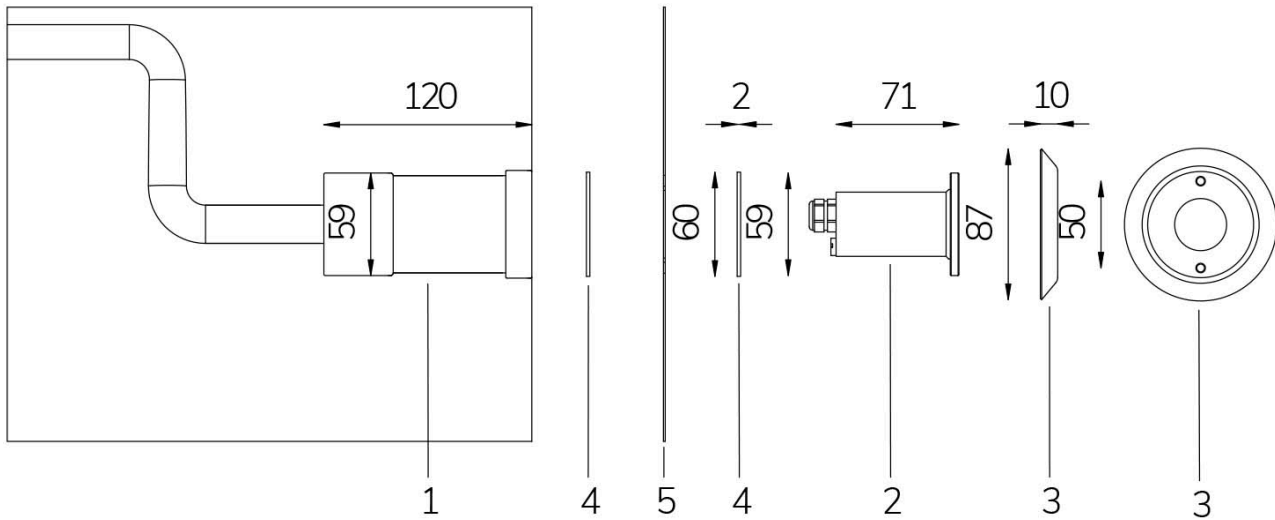
15/02/21 - All specifications included in this document, in the interest of continuous product improvement and to correct any error, can be changed without notice.

# MICRO PERLA RGBW 120° WITH PVC FLANGE WITHOUT NICHE

Cod. 2104830294L

LAMP WITH PVC FLANGE, DIFFUSER and 4m of CABLE

LED pool lamp with RGBW variable colour, ideal for small pools, jacuzzi areas and steps. Controlled by PLC signal. For panel and reinforced concrete with tiles or pool liner. NICHE IS NOT INCLUDED.



15/02/21 - All specifications included in this document, in the interest of continuous product improvement and to correct any error, can be changed without notice.