

PAR 56 RGBW POWER 120° WITH 4 M CABLE

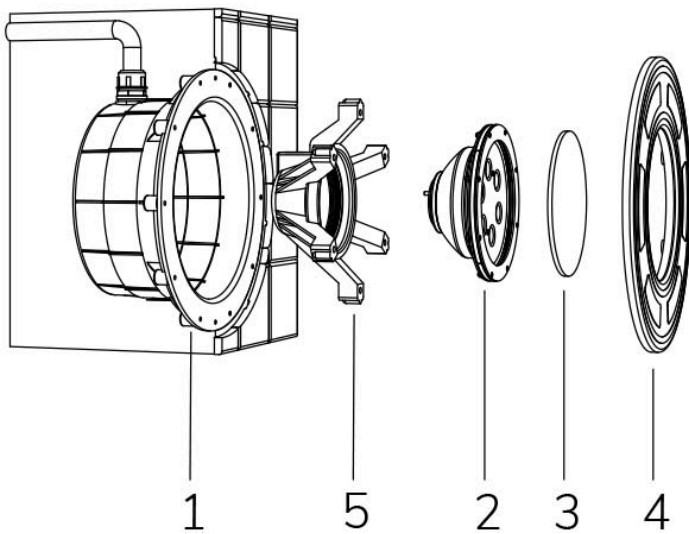
Cod. 4313172400

LAMP WITH 4m of CABLE

LED pool lamp with RGBW variable colour, ideal for large pools. PLC controlled. The standard PAR 56 dimension makes it possible to install as a replacement for traditional 300 W halogen lamps.

Technical data:

Power supply	12 V AC
Current	6.05 A
Maximum real power consumption	69 W
Maximum apparent power consumption	87 VA
Electrical insulation class	III
Connections	4 m NEOPRENE CABLE 2X4
Maximum cable length	22 m
Coverage area m ²	25 - 30
Replacement of traditional	300 W
Beam angle	120°
Number of LEDs	36
LED color	RGBW
Total luminous flux	2970 lumen
White luminous flux	1260 lumen
Red luminous flux	504 lumen
Green luminous flux	864 lumen
Blue luminous flux	216 lumen
Body made of	AISI316L STEEL AND GLASS
Weight	1 kg
Ingress Protection rating	IP68
Working conditions	EXCLUSIVELY IN WATER
Maximum ambient temperature	(water) 40 °C
Control signal	POWER LINE COMUNICATION
Nr of programmed colors	13
Nr of programmed sequences	10



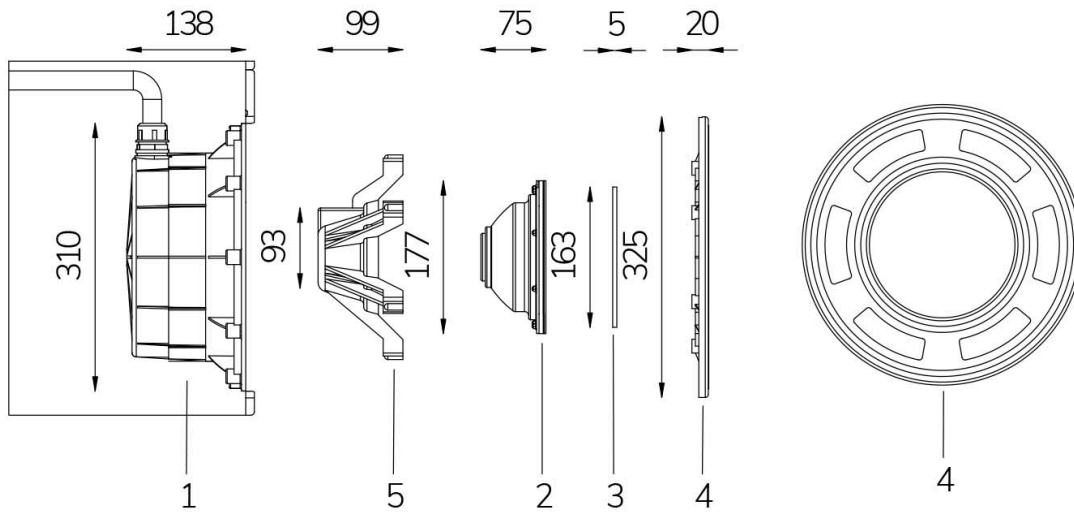
- 1 NICHE
- 2 LAMP
- 3 OPTICAL DIFFUSER
- 4 FRONT FLANGE
- 5 LAMP HOLDER RING

15/02/21 - All specifications included in this document, in the interest of continuous product improvement and to correct any error, can be changed without notice.

PAR 56 RGBW POWER 120° Cod. 4313172400 WITH 4 M CABLE

LAMP WITH 4m of CABLE

LED pool lamp with RGBW variable colour, ideal for large pools. PLC controlled. The standard PAR 56 dimension makes it possible to install as a replacement for traditional 300 W halogen lamps.



15/02/21 - All specifications included in this document, in the interest of continuous product improvement and to correct any error, can be changed without notice.