

# MICRO PERLA RGBW 120° WITH PVC FLANGE WITHOUT NICHE

**Cod. 2104830194L**

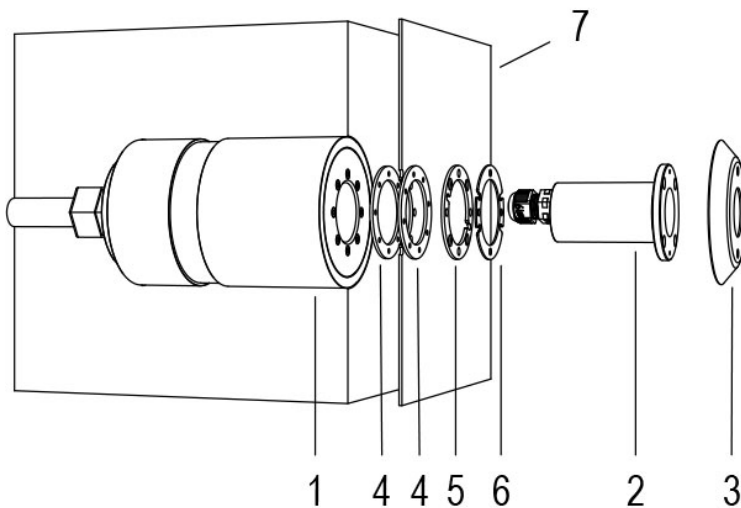
LAMP WITH PVC FLANGE, DIFFUSER and 4m of CABLE

LED pool lamp with RGBW variable colour, ideal for small pools, jacuzzi areas and steps. Controlled by PLC signal. For panel and reinforced concrete with tiles or pool liner. NICHE IS NOT INCLUDED.



**Technical data:**

Power supply	12 V AC
Current	0.5 A
Maximum power consumption	4 W
Apparent maximum power	6 VA
Electrical insulation class	III
Connection	4 m BLUE PBS-POOL CABLE 2X0.75
Maximum cable length	50 m
Coverage area m <sup>2</sup>	UP TO 5
Beam angle	120°
Number of LEDs	4
LED colour	RGBW
Total luminous flux	353 lumen
Body	AISI316L STEEL AND GLASS
Weight	0.6 kg
Protection rating	IP68
Working conditions	EXCLUSIVELY IN WATER
Maximum ambient temperature	-20 °C +40 °C
Control signal	POWER LINE COMUNICATION
No. of powerline colours	13
No. of powerline programs	10



- 1 NICHE
- 2 LAMP
- 3 FRONT FLANGE
- 4 GASKET
- 5 LINER FLANGE
- 6 PLEXY SPACER
- 7 POOL LINER

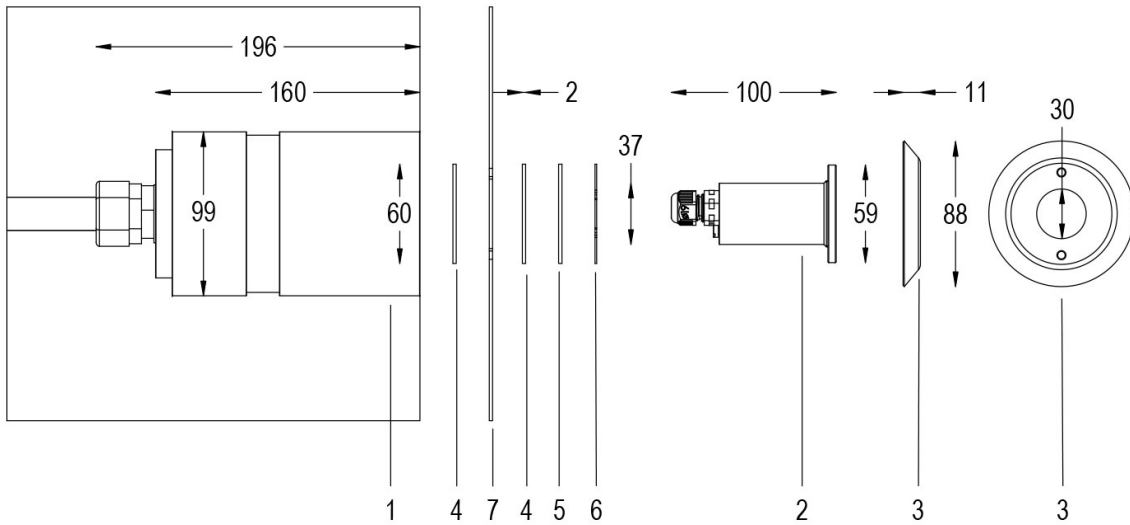
28/01/22 - The data in this document may be changed without notice in order to improve the product or to correct any errors.

# MICRO PERLA RGBW 120° WITH PVC FLANGE WITHOUT NICHE

Cod. 2104830194L

LAMP WITH PVC FLANGE, DIFFUSER and 4m of CABLE

LED pool lamp with RGBW variable colour, ideal for small pools, jacuzzi areas and steps. Controlled by PLC signal. For panel and reinforced concrete with tiles or pool liner. NICHE IS NOT INCLUDED.



28/01/22 - The data in this document may be changed without notice in order to improve the product or to correct any errors.