

PAR 56 FOUNTANA RGBW POWER 40°

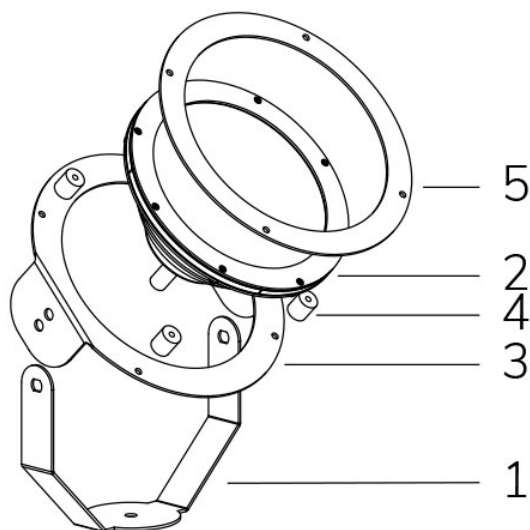
Cod. 6013753594

LAMP WITH SUPPORT and 4m CABLE

LED lamp for fountains with variable RGBW colour, ideal for large installations. PLC control. Available with various lenses to illuminate pools or different water jets. With the orientable bracket installation in any position is possible.

Technical data:

Power supply	12 V AC
Current	6.05 A
Maximum power consumption	52 W
Apparent maximum power	64 VA
Electrical insulation class	III
Connection	4 m NEOPRENE CABLE 2X4
Maximum cable length	22 m
Coverage area m ²	25 - 30
Beam angle	40°
Number of LEDs	36
LED colour	RGBW
Total luminous flux	2970 lumen
White luminous flux	1260 lumen
Red luminous flux	504 lumen
Green luminous flux	864 lumen
Blue luminous flux	216 lumen
Body	AISI316L STEEL AND GLASS
Weight	1.5 kg
Protection rating	IP68
Working conditions	EXCLUSIVELY IN WATER
Maximum ambient temperature	(water) 40 °C
Control signal	POWER LINE COMUNICATION
No. of powerline colours	13
No. of powerline programs	10



- 1 MOUNTING BRACKET
- 2 LAMP
- 3 LAMP SUPPORT
- 4 SPACERS
- 5 SUPPORT RING

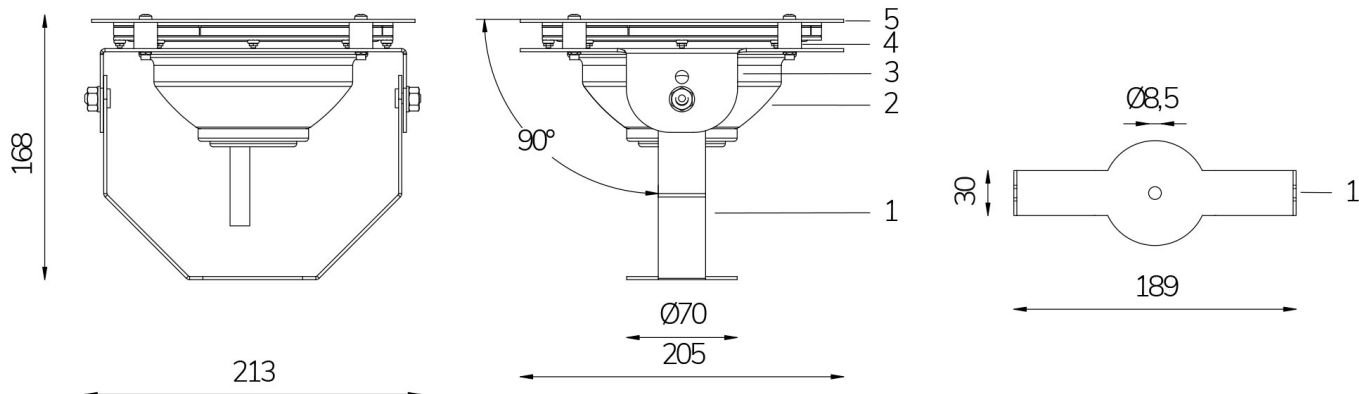
16/02/22 - The data in this document may be changed without notice in order to improve the product or to correct any errors.

PAR 56 FOUNTANA RGBW POWER 40°

Cod. 6013753594

LAMP WITH SUPPORT and 4m CABLE

LED lamp for fountains with variable RGBW colour, ideal for large installations. PLC control. Available with various lenses to illuminate pools or different water jets. With the orientable bracket installation in any position is possible.



16/02/22 - The data in this document may be changed without notice in order to improve the product or to correct any errors.