

PERLA RGBW POWER

with watertight niche

OC



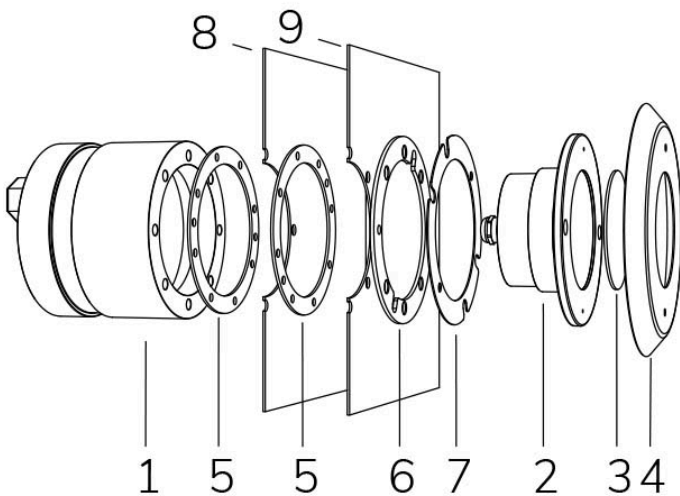
Cod. 2115512994L

LAMP WITH STAINLESS STEEL FLANGE, DIFFUSER and 4m of CABLE

LED pool lamp with RGBW variable colour, ideal for large pools. PLC controlled. For panel and reinforced concrete with tiles or pool liner. NICHE IS NOT INCLUDED.

Technical data:

Power supply	12 V AC
Current	5.25 A
Maximum real power consumption	63 W
Maximum apparent power consumption	79 VA
Electrical insulation class	III
Connections	4 m BLUE PBS-POOL CABLE 2X2.5
Maximum cable length	14 m
Area di copertura m ²	25 - 30
Beam angle	120°
Number of LEDs	24
LED color	RGBW
Total luminous flux	3200 lumen
White luminous flux	1284 lumen
Red luminous flux	749 lumen
Green luminous flux	1147 lumen
Blue luminous flux	20 lumen
Body made of	AISI316L STEEL AND GLASS
Weight	1.5 kg
Ingress Protection rating	IP68
Working conditions	EXCLUSIVELY IN WATER
Maximum ambient temperature	(water) 40 °C
Control signal	POWER LINE COMUNICATION
Nr of programmed colors	13
Nr of programmed sequences	10



- 1 NICHE
- 2 LAMP
- 3 OPTICAL DIFFUSER
- 4 FRONT FLANGE
- 5 GASKET
- 6 STAINLESS STEEL SPACER
- 7 PLEXY SPACER

23/07/20 - All specifications included in this document, in the interest of continuous product improvement and to correct any error, can be changed without notice.

PERLA RGBW POWER

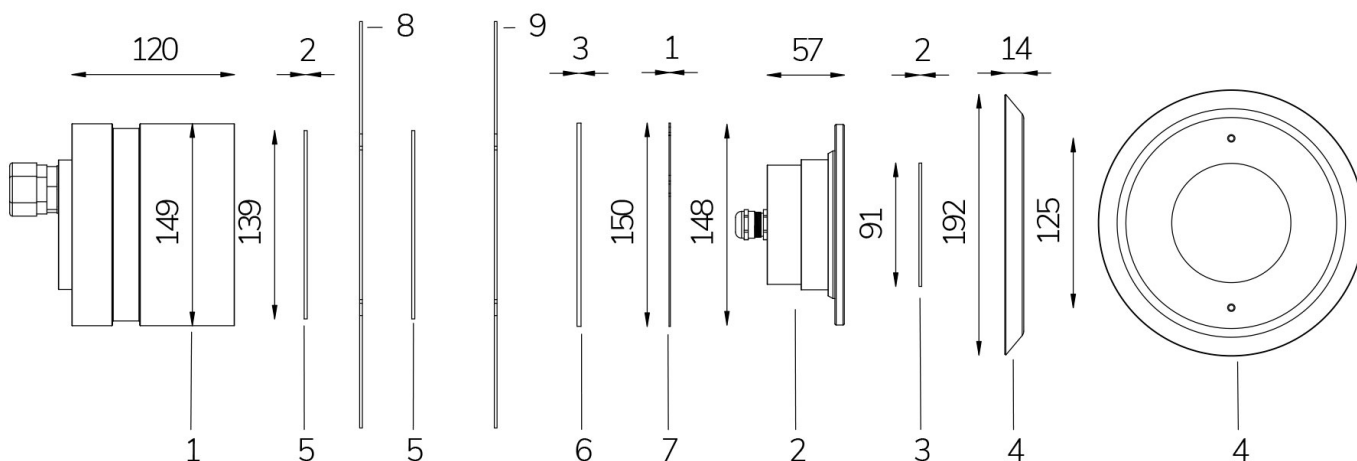
with watertight niche

OC

Cod. 2115512994L

LAMP WITH STAINLESS STEEL FLANGE, DIFFUSER and 4m of CABLE

LED pool lamp with RGBW variable colour, ideal for large pools. PLC controlled. For panel and reinforced concrete with tiles or pool liner. NICHE IS NOT INCLUDED.



23/07/20 - All specifications included in this document, in the interest of continuous product improvement and to correct any error, can be changed without notice.