

MAGIC SUB RGBW

with watertight niche

OC

new



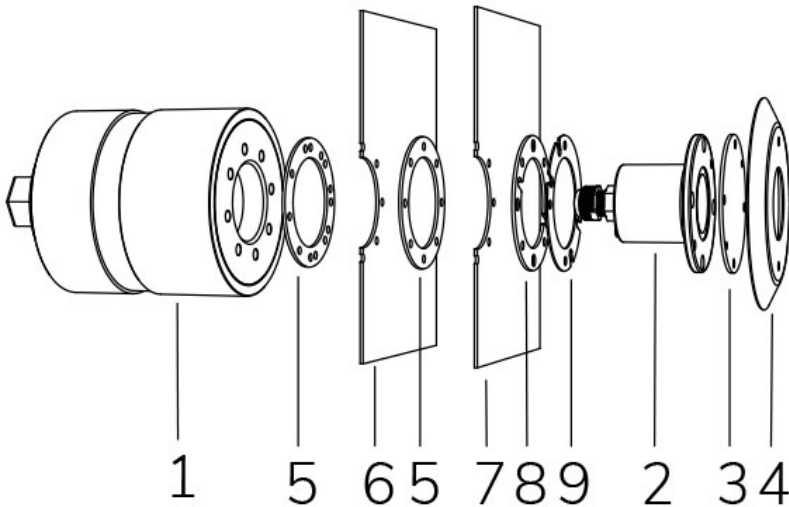
Cod. 7905340194

LAMP WITH STAINLESS STEEL FLANGE, NICHE, DIFFUSER and 4m of CABLE

LED pool lamp with RGBW variable colour, ideal for small pools, jacuzzi areas and steps. PLC controlled. The niche included contains space to collect the cable for maintenance. For panel and reinforced concrete with tiles or pool liner.

Technical data:

| | |
|------------------------------------|------------------------------|
| Power supply | 12 V AC |
| Current | 1.4 A |
| Maximum real power consumption | 17 W |
| Maximum apparent power consumption | 23 VA |
| Electrical insulation class | III |
| Connections | 4 m SUBMERSIBLE CABLE 2X0.75 |
| Maximum cable length | 18 m |
| Area di copertura m ² | 5 - 10 |
| Beam angle | 95° |
| Number of LEDs | 4 |
| LED color | RGBW |
| Total luminous flux | 432 lumen |
| White luminous flux | 196 lumen |
| Red luminous flux | 77 lumen |
| Green luminous flux | 120 lumen |
| Blue luminous flux | 39 lumen |
| Body made of | AISI316L STEEL AND GLASS |
| Weight | 0.5 kg |
| Ingress Protection rating | IP68 |
| Working conditions | EXCLUSIVELY IN WATER |
| Maximum ambient temperature | (water) 40 °C |
| Control signal | POWER LINE COMUNICATION |
| Nr of programmed colors | 13 |
| Nr of programmed sequences | 10 |



- 1 NICHE
- 2 LAMP
- 3 OPTICAL DIFFUSER
- 4 FRONT FLANGE
- 5 GASKET
- 6 PANEL
- 7 POOL LINER
- 8 STAINLESS STEEL SPACER
- 9 PLEXY SPACER

23/07/20 - All specifications included in this document, in the interest of continuous product improvement and to correct any error, can be changed without notice.

MAGIC SUB RGBW

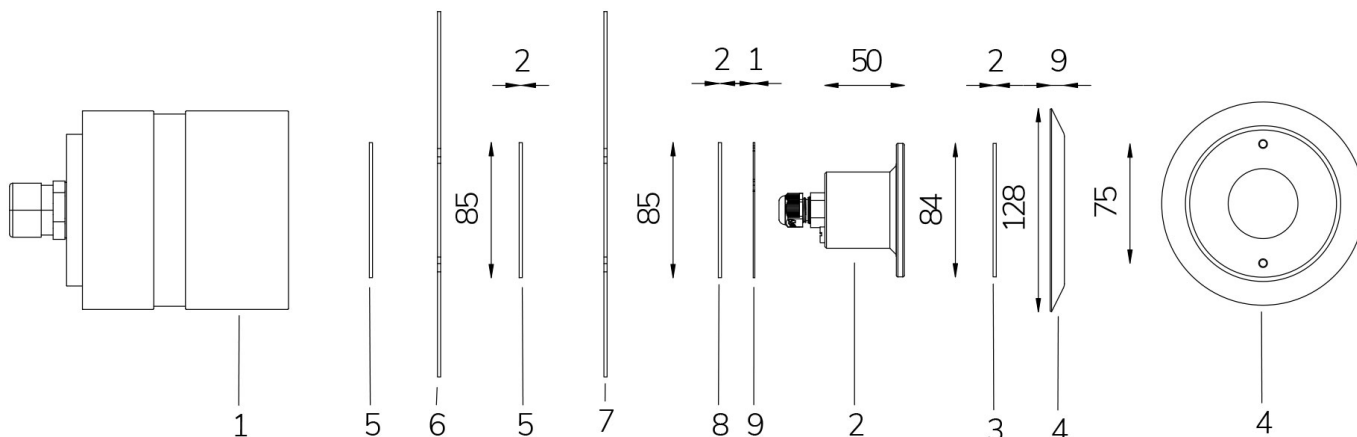
with watertight niche



Cod. 7905340194

LAMP WITH STAINLESS STEEL FLANGE, NICHE, DIFFUSER and 4m of CABLE

LED pool lamp with RGBW variable colour, ideal for small pools, jacuzzi areas and steps. PLC controlled. The niche included contains space to collect the cable for maintenance. For panel and reinforced concrete with tiles or pool liner.



23/07/20 - All specifications included in this document, in the interest of continuous product improvement and to correct any error, can be changed without notice.