

# MINI SUB FOUNTAIN RGBW IN

DMX



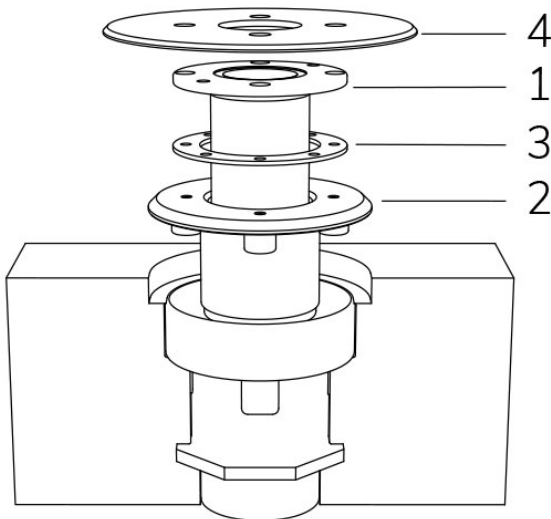
## Cod. 7905383194

### LAMP WITH FLANGE, INLET AND 4m CABLE

LED lamp for fountains with variable RGBW colour, ideal for medium and small installations. Controlled with DMX 512 signal. Available with various lenses to illuminate pools or different water jets. Inlet provided for recess installation in reinforced concrete.

#### Technical data:

Power supply	12 V AC
Current	1.4 A
Maximum real power consumption	17 W
Maximum apparent power consumption	23 VA
Electrical insulation class	III
Connections	4 m BLUE PBS-POOL CABLE 5X0.5
Maximum cable length	12 m
Beam angle	16°
Number of LEDs	4
LED color	RGBW
Total luminous flux	432 lumen
White luminous flux	196 lumen
Red luminous flux	77 lumen
Green luminous flux	120 lumen
Blue luminous flux	39 lumen
Body made of	AISI316L STEEL AND GLASS
Weight	0.8 kg
Ingress Protection rating	IP68
Working conditions	EXCLUSIVELY IN WATER
Maximum ambient temperature	(water) 40 °C
Control signal	DMX 512
DMX channels	1 RED, 2 GREEN, 3 BLUE, 4 WHITE, 5 STROBE EFFECT, 6 RAINBOW EFFECT



- 1 LAMP
- 2 INLET FITTING
- 3 GASKET
- 4 FRONT FLANGE

04/06/20 - All specifications included in this document, in the interest of continuous product improvement and to correct any error, can be changed without notice.

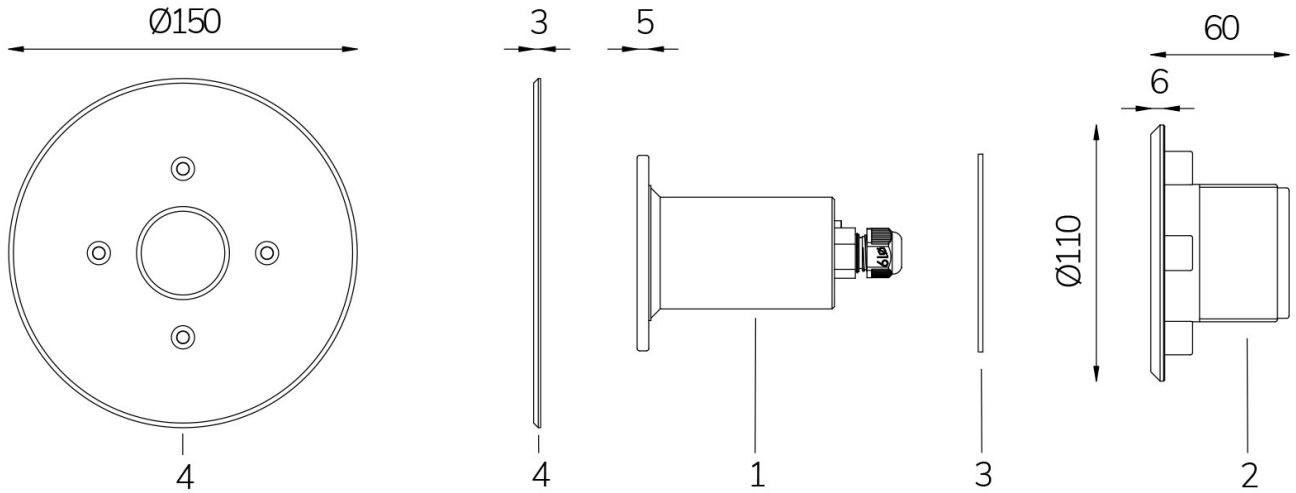
# MINI SUB FOUNTAIN RGBW IN

DMX

Cod. 7905383194

LAMP WITH FLANGE, INLET AND 4m CABLE

LED lamp for fountains with variable RGBW colour, ideal for medium and small installations. Controlled with DMX 512 signal. Available with various lenses to illuminate pools or different water jets. Inlet provided for recess installation in reinforced concrete.



04/06/20 - All specifications included in this document, in the interest of continuous product improvement and to correct any error, can be changed without notice.