

OC TRANSMITTER

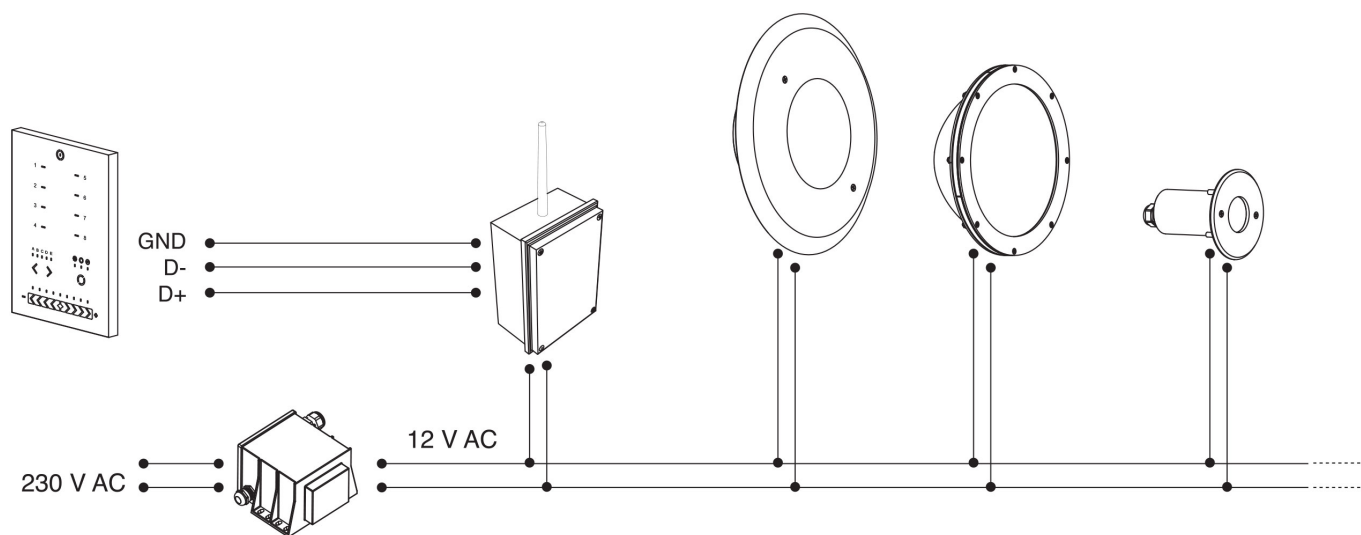
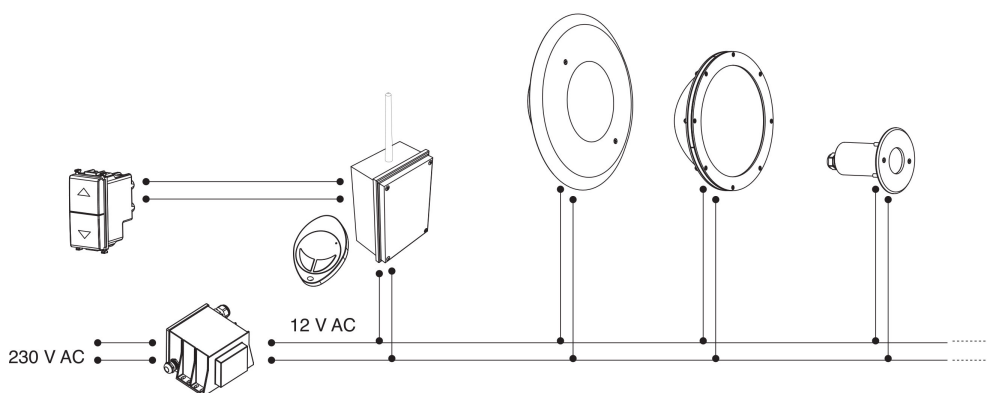
Cod. 449300042

OC TRANSMITTER

PLC transmitter box for lamps. 13 fixed colours and 8 colour sequences controlled by remote control, external buttons or DMX signal.

Technical data:

Power supply	12 V AC
Pre programmed scenes	13 FIXED COLOURS
Pre programmed sequences	10 AUTOMATIC SEQUENCES
Remote control	DMX 512
Type of installation	WALL MOUNTING
Length	130
Depth	110
Height	57



14/06/19 - All specifications included in this document, in the interest of continuous product improvement and to correct any error, can be changed without notice.